

DOUBLE AIR STRIDER DOUBLE HIP SWING COMBO



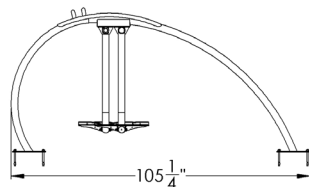
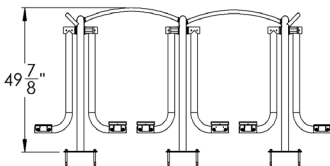
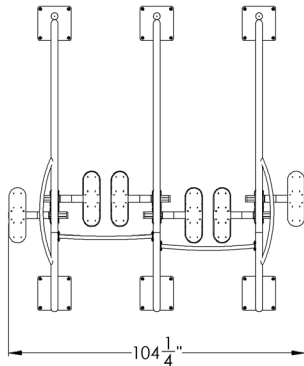
Sku: 48968 Inground Mount

Sku: 48969 Surface Mount

Number of Users: 4

Minimum Concrete Pad:
10'8" x 9'8", 5" thick
(3,26m x 2,95m)

Product Dimensions:
105"L x 104"W x 50"H or
(267cm x 265cm x 127cm)



Xccent Fitness Features

- 100% Designed, Engineered, and Manufactured in USA
- Fully Assembled
- No Pinch/Shear/Crush Points, Entrapments, or Protrusions
- Patented Arch Design—Patent no. D 660,933
- Steel Components Made Using an Average Recycled Steel Content of 31%
- Textured Vinyl Handles and Foot Pads for Improved Grip—Unique to Xccent Fitness Products!

Material Specifications

- Patented Arch Frame constructed using a 2.375" dia X 12 GA (.11) wall, Galvanized, A513 Hot Rolled Steel. The bottom plate is 0.25" thick A1011 Hot Rolled Steel. The entire frame has a powder coat finish.
- Foot Pads are made from 7 GA A1011 Hot Rolled Steel and coated with PVC.
- Hardware is stainless steel or corrosion-resistant coated steel that conforms to ANSI/ASCE-8-90 (stainless steel), and has passed 100 hour salt test (corrosion-resistant coated steel). Most hardware is Torx tamper resistant.
- PVC Coating (Poly-Vinyl Chloride)*: Equipment shall have coating thickness of .085-.150" with texturing applied to handholds/foot-pads. The PVC physical properties shall have no less than:
 - Tensile strength of no less than 1500 psi per ASTM 412.
 - Hardness of 70 +/- 5 (Durometer, Shore A) per ASTM 2240.
- PVC formulated to withstand the requirements of outdoor UV exposure.
- The material will meet or exceed the requirements of the Federal Safety Standard MVSS 302 and UL 94 HB requirements.
- IMPORTANT NOTE: PVC shall comply with the Consumer Product Safety Improvement act of 2008 by having a concentration that does not exceed 0.1% of the following phthalates; DINP, DIDP, DnOP, DEHP, or BBP. This formulation is also free of heavy metals such as Lead and Cadmium.
- Xccent's Super Durable Two-Part Powder Coating Process*: Primer Application: A minimum of 3 mil's of Xccent's proprietary marine grade primer is applied to ensure superior protection against corrosion caused by the most extreme environments. Super Durable Powder Coating (Top Coat Color): Xccent uses a Super Durable polyester/TGIC powder coating with superior color-, gloss-, and UV-stabilizing qualities ideal for exterior applications (min coating of 2.5-3.5 mils). The total coverage shall be 5-7 mils minimum.

*Contact Xccent Fitness for a detailed copy of our Powder Coat and PVC specifications.

Warranty*

- 100 year warranty on stainless steel fasteners, steel arches, posts, and caps
- 15 year warranty on all steel components (except 100-year parts), vinyl coated decks, beams, stairs, seat surfaces
- 5 year warranty on all-weather PVC handholds, foot pads, ropes, plastic components
- 3 year warranty on moving parts

*Contact Xccent Fitness for a detailed copy of our product warranty.

This information can be used by municipalities for bid specifications.

